

# unidirectional motor - series XV

**XV-3U**

**SAE B TYPE MOTOR**  
**ø101.6 FLANGE - SPLINED SHAFT**

**X 3 U 78 32 I E E A**

Series	X	series XV
Group	3	group 3
Category	U	unidirectional motor
Displacement	78	38
Flange	32	ø101.6 SAE B right rotation
Shaft	I	SCF04 - Splined ø21.81 z=13, H=33.55 SAE J498-13T -16/32DP (SAE B)
Body	IN	inlet - 1" BSP
	OUT	outlet - 1" BSP
Cover	A	standard



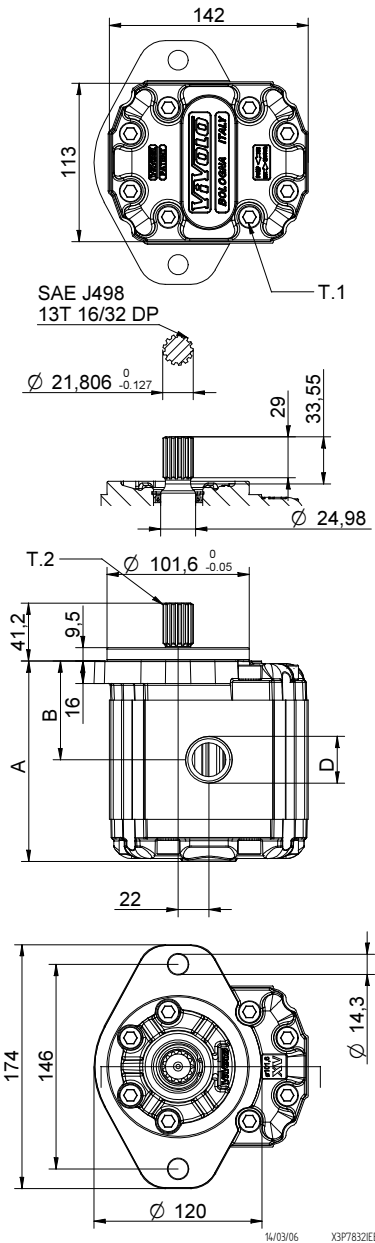
**XU331**

Technical data table						
TYPE	Displacement cm3/rev	Max. Pressure		CODE		
		P1 bar	P3 bar	Left rotation	Right rotation	
XV-3U/15	14,89	250	270	X 3 U 66 31 I D D A	X 3 U 66 32 I D D A	
XV-3U/18	17,37	250	270	X 3 U 68 31 I D D A	X 3 U 68 32 I D D A	
XV-3U/21	21,10	250	270	X 3 U 70 31 I D D A	X 3 U 70 32 I D D A	
XV-3U/27	26,97	250	270	X 3 U 72 31 I E E A	X 3 U 72 32 I E E A	
XV-3U/32	32,27	250	270	X 3 U 74 31 I E E A	X 3 U 74 32 I E E A	
XV-3U/38	38,47	250	270	X 3 U 78 31 I E E A	X 3 U 78 32 I E E A	
XV-3U/43	43,44	250	270	X 3 U 79 31 I E E A	X 3 U 79 32 I E E A	
XV-3U/47	47,16	230	250	X 3 U 80 31 I E E A	X 3 U 80 32 I E E A	
XV-3U/51	50,88	230	250	X 3 U 81 31 I E E A	X 3 U 81 32 I E E A	
XV-3U/54	54,60	230	250	X 3 U 82 31 I E E A	X 3 U 82 32 I E E A	
XV-3U/61	60,81	230	250	X 3 U 83 31 I F F A	X 3 U 83 32 I F F A	
XV-3U/64	64,53	210	230	X 3 U 85 31 I F F A	X 3 U 85 32 I F F A	
XV-3U/70	70,74	200	220	X 3 U 86 31 I F F A	X 3 U 86 32 I F F A	
XV-3U/74	74,46	180	200	X 3 U 87 31 I F F A	X 3 U 87 32 I F F A	
XV-3U/90	86,87	150	170	X 3 U 89 31 I F F A	X 3 U 89 32 I F F A	

P1) Max. working pressure - P3) Max. peak pressure

For heavy-duty applications, it is recommended to check the admissible torque of the shaft

Dimensions table					
TYPE	Weight	A	B	D	D
	kg	mm	mm	IN	OUT
XV-3U/15	7,010	124,0	61,0	3/4" BSPP	3/4" BSPP
XV-3U/18	7,070	126,0	62,0	3/4" BSPP	3/4" BSPP
XV-3U/21	7,150	129,0	63,5	3/4" BSPP	3/4" BSPP
XV-3U/27	7,250	133,0	65,5	1" BSPP	1" BSPP
XV-3U/32	7,390	138,0	68,0	1" BSPP	1" BSPP
XV-3U/38	7,520	143,0	70,5	1" BSPP	1" BSPP
XV-3U/43	7,630	147,0	72,5	1" BSPP	1" BSPP
XV-3U/47	7,710	150,0	74,0	1" BSPP	1" BSPP
XV-3U/51	7,790	153,0	75,5	1" BSPP	1" BSPP
XV-3U/54	7,870	156,0	77,0	1" BSPP	1" BSPP
XV-3U/61	8,010	161,0	79,5	1" 1/4 BSPP	1" 1/4 BSPP
XV-3U/64	8,090	164,0	81,0	1" 1/4 BSPP	1" 1/4 BSPP
XV-3U/70	8,220	169,0	83,5	1" 1/4 BSPP	1" 1/4 BSPP
XV-3U/74	8,300	172,0	85,0	1" 1/4 BSPP	1" 1/4 BSPP
XV-3U/90	8,570	182,0	90,0	1" 1/4 BSPP	1" 1/4 BSPP



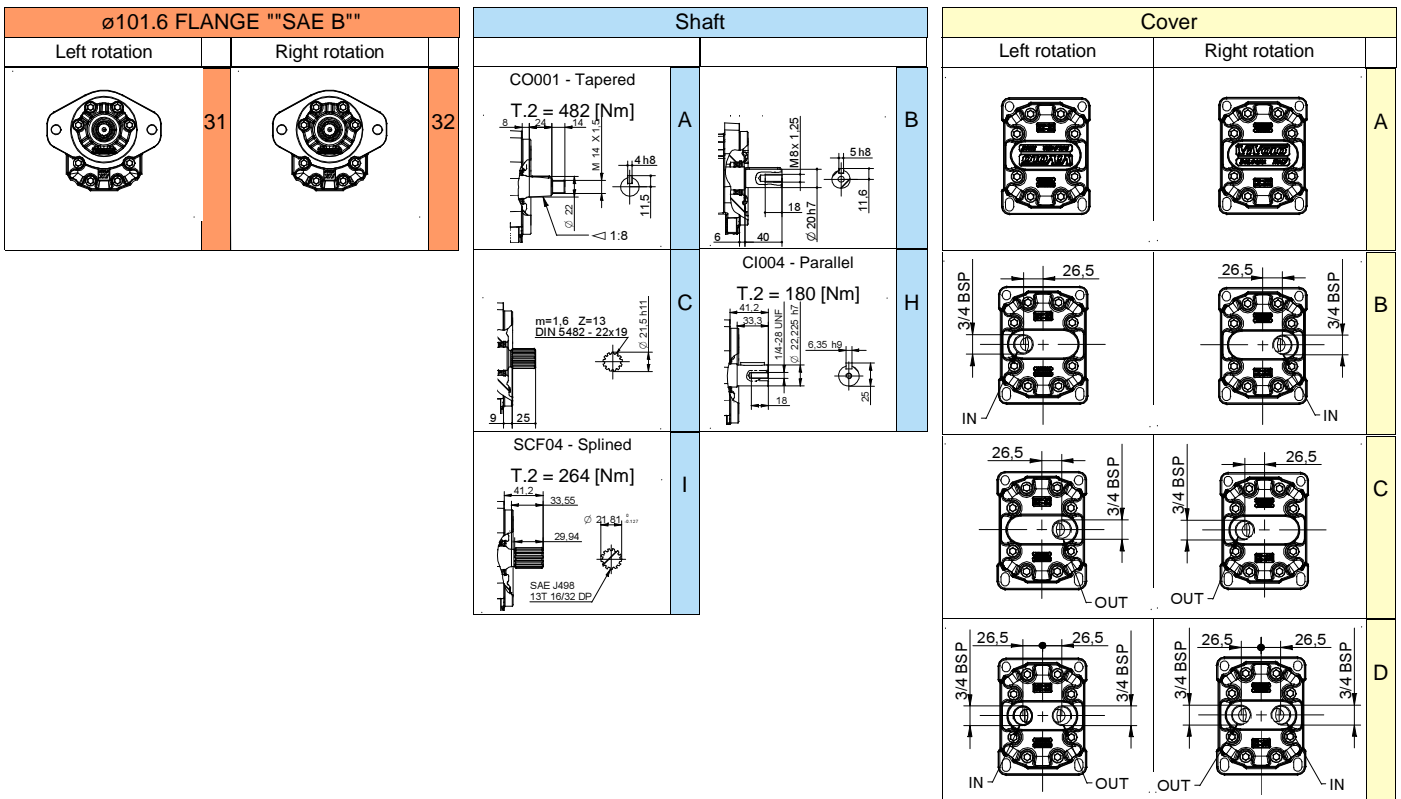
T.1 = 60÷65 [Nm] - screw tightening torque M10

T.2 = 264 [Nm] - admissible shaft torque (N.B. When choosing a shaft, always check the admissible torque).

# Table of variations

**XV-3U**

## ø101.6 FLANGE ""SAE B""



Displacement	
TYPE	CODE
XV-3U/15	66
XV-3U/18	68
XV-3U/21	70
XV-3U/27	72
XV-3U/32	74
XV-3U/38	78
XV-3U/43	79
XV-3U/47	80
XV-3U/51	81
XV-3U/54	82
XV-3U/61	83
XV-3U/64	85
XV-3U/70	86
XV-3U/74	87
XV-3U/90	89

Standard bodies				
Displacement cm <sup>3</sup> /rev	Standard threads			
	15	A - A	D - D	H - H
18	A - A	D - D	H - H	
21	A - A	D - D	H - H	
27	A - A	E - E	H - H	
32	B - B	E - E	H - H	
38	B - B	E - E	H - H	
43	B - B	E - E	H - H	
47	B - B	E - E	H - H	
51	B - B	E - E	H - H	
54	B - B	E - E	H - H	
61	C - C	F - F		
64	C - C	F - F		
70	C - C	F - F		
74	C - C	F - F		
90	C - C	F - F		

Table showing standard flange and thread combinations available in stock

