

reversible pump - series XV

XV-1R

BH TYPE PUMP
ø32 BODY-SHAPED FLANGE - MILLED SHANK

X 1 R 25 25 D B B E

Series	X	series XV
Group	1	group 1
Category	R	reversible pump
Displacement	25	3.8
Flange	25	ø32 BH reversible rotation
Shaft	D	CF002 - Milled shank ø10 - thk.5
Body	IN	inlet - 3/8" GAS
	OUT	outlet - 3/8" GAS
Cover	E	with drainage 1/4" BSP



XR119

Technical data table

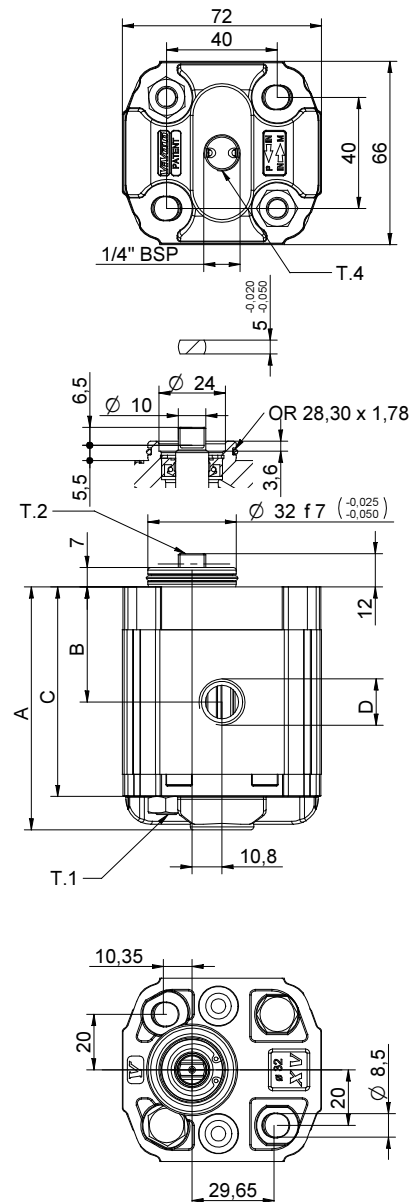
TYPE	Displacement cm3/rev	Max. Pressure		CODE																	
		P1 bar	P3 bar	External drainage				Internal drainage													
XV-1R/0.9	0,91	240	280	X	1	R	16	25	D	B	B	E	X	1	R	16	25	D	B	B	F
XV-1R/1.2	1,17	250	290	X	1	R	17	25	D	B	B	E	X	1	R	17	25	D	B	B	F
XV-1R/1.7	1,56	250	290	X	1	R	18	25	D	B	B	E	X	1	R	18	25	D	B	B	F
XV-1R/2.2	2,08	250	290	X	1	R	20	25	D	B	B	E	X	1	R	20	25	D	B	B	F
XV-1R/2.6	2,60	250	300	X	1	R	21	25	D	B	B	E	X	1	R	21	25	D	B	B	F
XV-1R/3.2	3,12	250	300	X	1	R	23	25	D	B	B	E	X	1	R	23	25	D	B	B	F
XV-1R/3.8	3,64	250	300	X	1	R	25	25	D	B	B	E	X	1	R	25	25	D	B	B	F
XV-1R/4.3	4,16	250	300	X	1	R	27	25	D	B	B	E	X	1	R	27	25	D	B	B	F
XV-1R/4.9	4,94	250	300	X	1	R	29	25	D	B	B	E	X	1	R	29	25	D	B	B	F
XV-1R/5.9	5,85	250	300	X	1	R	31	25	D	B	B	E	X	1	R	31	25	D	B	B	F
XV-1R/6.5	6,50	250	300	X	1	R	32	25	D	B	B	E	X	1	R	32	25	D	B	B	F
XV-1R/7.8	7,54	220	260	X	1	R	34	25	D	B	B	E	X	1	R	34	25	D	B	B	F
XV-1R/9.8	9,88	190	230	X	1	R	36	25	D	B	B	E	X	1	R	36	25	D	B	B	F

P1) Max. working pressure - P3) Max. peak pressure

For heavy-duty applications, it is recommended to check the admissible torque of the shaft

Dimensions table

TYPE	Weight kg	A	B	C	D	
		mm	mm	mm	IN	OUT
XV-1R/0.9	0,950	77,1	36,3	65,1	3/8" BSPP	3/8" BSPP
XV-1R/1.2	0,970	78,0	36,8	66,0	3/8" BSPP	3/8" BSPP
XV-1R/1.7	1,010	79,5	37,5	67,5	3/8" BSPP	3/8" BSPP
XV-1R/2.2	1,030	81,5	38,5	69,5	3/8" BSPP	3/8" BSPP
XV-1R/2.6	1,060	83,5	39,5	71,5	3/8" BSPP	3/8" BSPP
XV-1R/3.2	1,090	85,5	40,5	73,5	3/8" BSPP	3/8" BSPP
XV-1R/3.8	1,120	87,5	41,5	75,5	3/8" BSPP	3/8" BSPP
XV-1R/4.3	1,170	89,5	42,5	77,5	3/8" BSPP	3/8" BSPP
XV-1R/4.9	1,200	92,5	44,0	80,5	3/8" BSPP	3/8" BSPP
XV-1R/5.9	1,260	96,0	45,8	84,0	3/8" BSPP	3/8" BSPP
XV-1R/6.5	1,300	97,5	47,0	85,5	3/8" BSPP	3/8" BSPP
XV-1R/7.8	1,360	102,5	49,0	90,5	3/8" BSPP	3/8" BSPP
XV-1R/9.8	1,500	111,5	53,5	99,5	3/8" BSPP	3/8" BSPP



26/08/04 XR25Z5DBBE.dft

T.1 = 24.5÷29.4 [Nm] - screw tightening torque M8

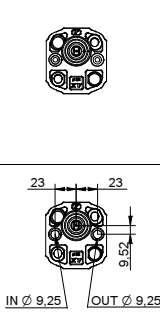
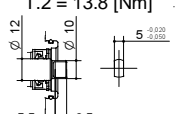
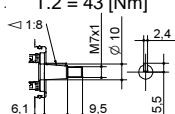
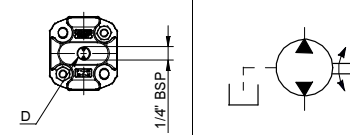
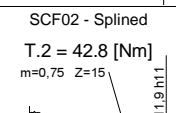
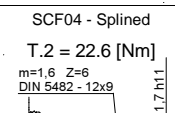
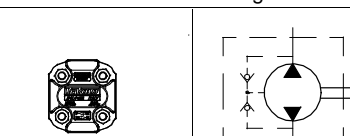
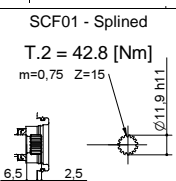
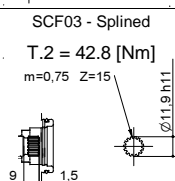
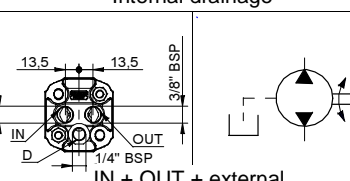
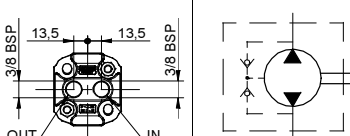
T.2 = 13.8 [Nm] - admissible shaft torque (N.B. When choosing a shaft, always check the admissible torque).

T.4 = 0.3÷0.5 bar - max. drainage pressure

Table of variations

XV-1R

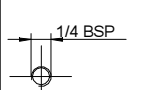
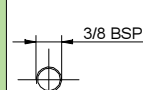
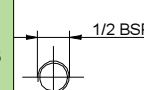
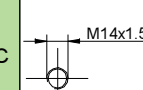
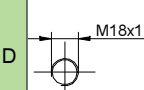
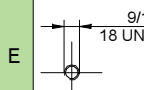
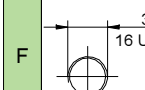
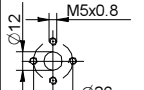
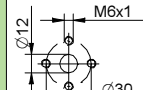
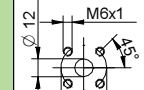
ø32 "BH" Body-Shaped FLANGE

ø32 "BH" Body-Shaped FLANGE		Shaft				Cover	
	25	CF002 - Milled shank T.2 = 13.8 [Nm] 	D	CO001 - Tapered T.2 = 43 [Nm] 	F	 External drainage	E
	28	SCF02 - Splined T.2 = 42.8 [Nm] m=0,75 Z=15 	L	SCF04 - Splined T.2 = 22.6 [Nm] m=1,6 Z=6 DIN 5482 - 12x9 	J	 Internal drainage	F
		SCF01 - Splined T.2 = 42.8 [Nm] m=0,75 Z=15 	Q	SCF03 - Splined T.2 = 42.8 [Nm] m=0,75 Z=15 	R	 IN + OUT + external	K
						 IN + OUT + internal	L

Displacement	
TYPE	CODE
XV-1R/0.9	16
XV-1R/1.2	17
XV-1R/1.7	18
XV-1R/2.2	20
XV-1R/2.6	21
XV-1R/3.2	23
XV-1R/3.8	25
XV-1R/4.3	27
XV-1R/4.9	29
XV-1R/5.9	31
XV-1R/6.5	32
XV-1R/7.8	34
XV-1R/9.8	36

Standard bodies					
Displacement cm3/rev	Standard threads				
	0.9	I - I	B - B	J - J	Z - Z
1.2	I - I	B - B	J - J	Z - Z	
1.7	I - I	B - B	J - J	Z - Z	
2.2	I - I	B - B	J - J	Z - Z	
2.6	I - I	B - B	J - J	Z - Z	
3.2	I - I	B - B	J - J	Z - Z	
3.8	I - I	B - B	J - J	Z - Z	
4.3	I - I	B - B	J - J	Z - Z	
4.9	I - I	B - B	J - J	Z - Z	
5.9	I - I	B - B	J - J	Z - Z	
6.5	I - I	B - B	J - J	Z - Z	
7.8	I - I	B - B	J - J	Z - Z	
9.8	I - I	B - B	J - J	Z - Z	

Table showing standard flange and thread combinations available in stock

Body (threads/flanges)						
 1/4 BSP A	 3/8 BSP B	 1/2 BSP C	 M14x1.5 D	 M18x1.5 E	 9/16 18 UNF-2B F	 3/4 16 UNF-2B G
 M5x0.8 H	 M6x1 I	 M6x1 J	Closed Body Z			